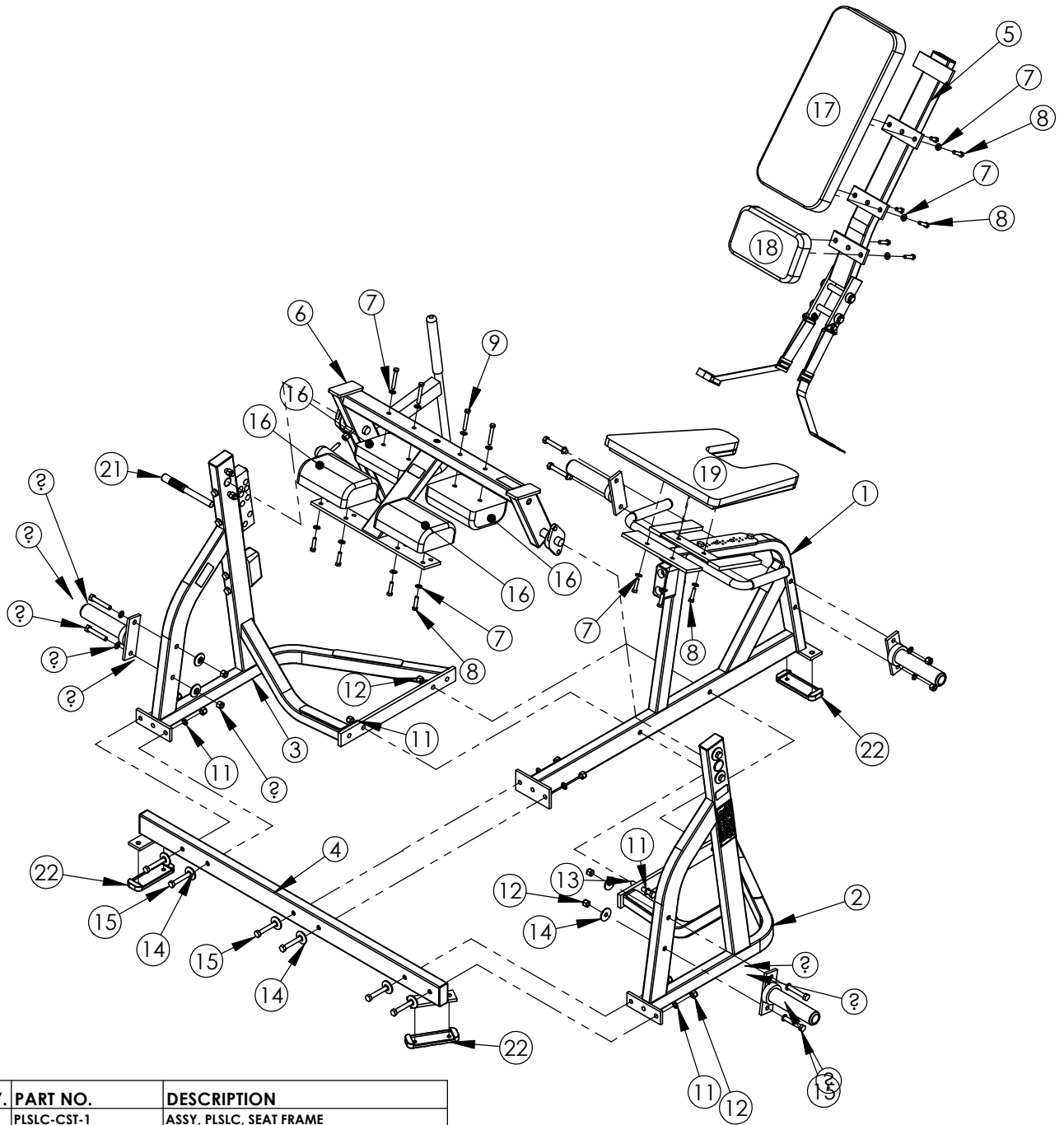


WEIGHT = 302.5 lbs / 137.5 kg  
LENGTH = 62  
WIDTH = 60  
HEIGHT = 54

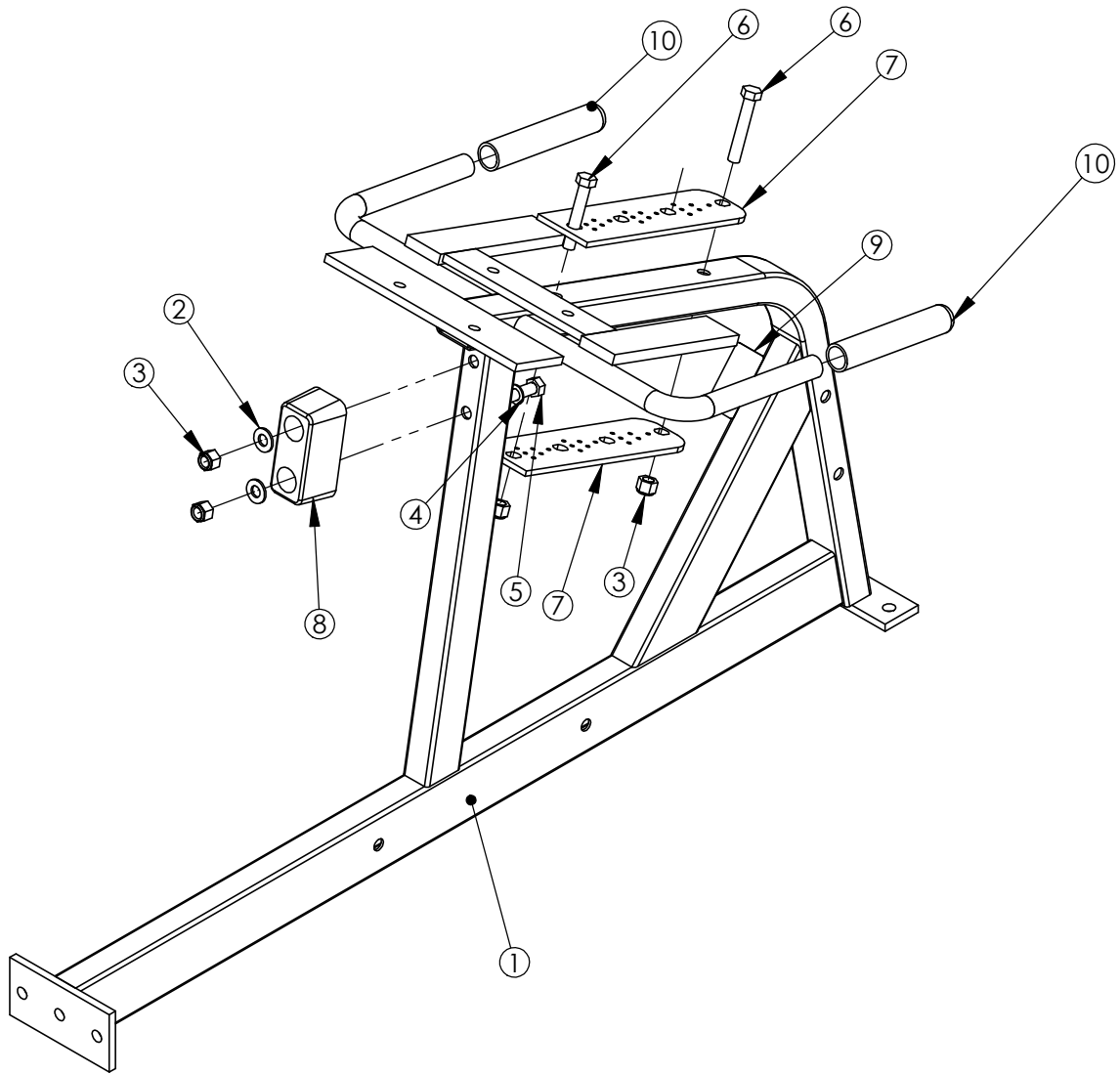
# HAMMER STRENGTH EQUIPMENT PLSLC - EXPLODED



ITEM NO.	QTY.	PART NO.	DESCRIPTION
1	1	PLSLC-CST-1	ASSY, PLSLC, SEAT FRAME
2	1	PLSLC-CSFL-1	ASSY, PLSLC, LEFT SIDE FRAME
3	1	PLSLC-CSFR-1	ASSY, PLSLC, RIGHT SIDE FRAME
4	1	PLSLC-CFX-0	ASSY, PLSLC, FRONT X-MEM
5	1	PLSLC-CAJST-1	ASSY, PLSLC, ADJ. SEAT
6	1	PLSLC-CMA-2	ASSY, PLSLC, MOVEMENT ARM
7	18	WASH.375SAE	3/8" SAE FLAT WASHER
8	12	HHB.375X1.5	STEEL BOLT 3/8 X 1.5
9	4	HHB.375X2.5	STEEL BOLT 3/8 X 2.5
10	2	HHB.375X1	STEEL BOLT 3/8 X 1
11	18	WASH.5STAR	1/2" INTERNAL LOCK WASHER
12	14	NUT.5LOCK	1/2 DIA THICK LOCK NUT
13	4	HHB.5X3.5	1/2 X 3 1/2 BOLT
14	10	H-BACK-WASH	BACKING WASHER
15	10	HHB.5X3	1/2 X 3 BOLT
16	4	U-8-4.5	8X4.5 PAD
17	1	U-24-10	24X10 PAD
18	1	U-10-4.5S-NC	PAD, 10-4.5
19	1	U-SLC	SEAT PAD
20	4	H-HORN-ASSY	ASSY, WEIGHT HORN
21	1	LimitRodS	Short Range Limiter Rod
22	3	MM-8	2 X 6 FLANGE RUBBER SLIPPER



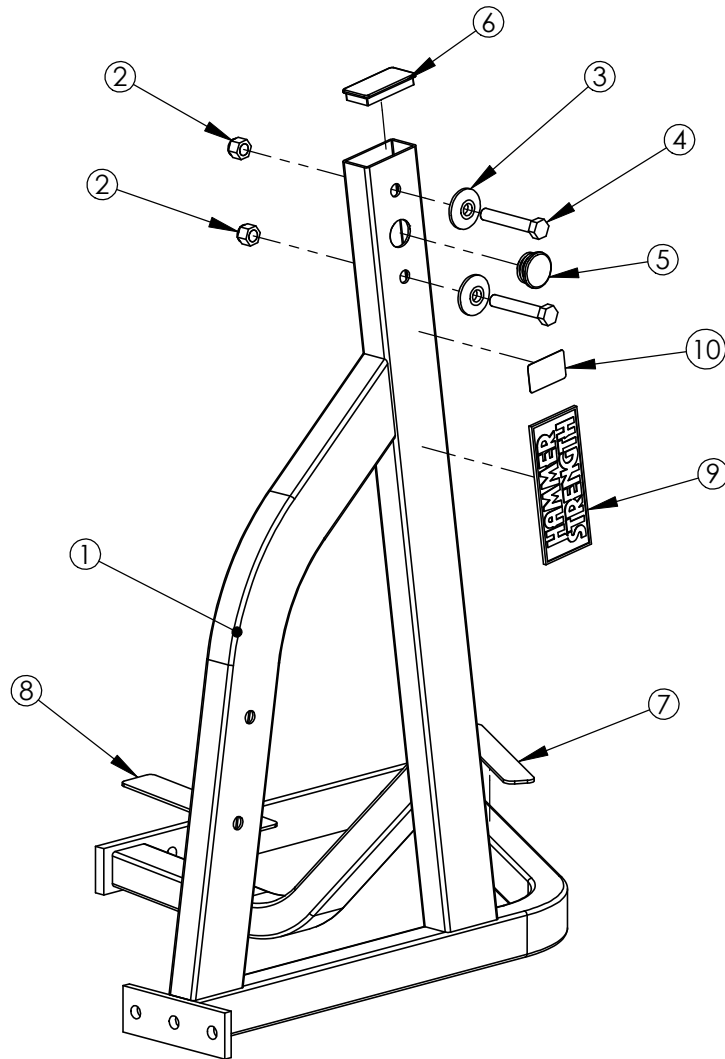
**HAMMER STRENGTH EQUIPMENT  
PLSLC-CST-1, ASSY, PLSLC, SEAT FRAME**



ITEM NO.	QTY.	PART NO.	DESCRIPTION
1	1	PLSLC-ST-0	WLDMT, PLSLC, SEAT FRAME
2	2	WASH.5SAE	1/2" SAE FLAT WASHER
3	4	NUT.5LOCK	1/2 DIA THICK LOCK NUT
4	2	WASH.5STAR	1/2" INTERNAL LOCK WASHER
5	2	HHB.5X3.5	1/2 X 3 1/2 BOLT
6	2	HHB.5X3	1/2 X 3 BOLT
7	2	H-SEATRCKS-CUT	ORIGINAL SEAT RACK
8	1	H-BUMP-MED	MM2 MEDIUM
9	1	8773701	ASTM LABEL
10	2	H-GRIP	HANDLE GRIPS (.938X16)

WEIGHT = 54lbs / 25kg  
 LENGTH = 50  
 WIDTH = 22  
 HEIGHT = 28

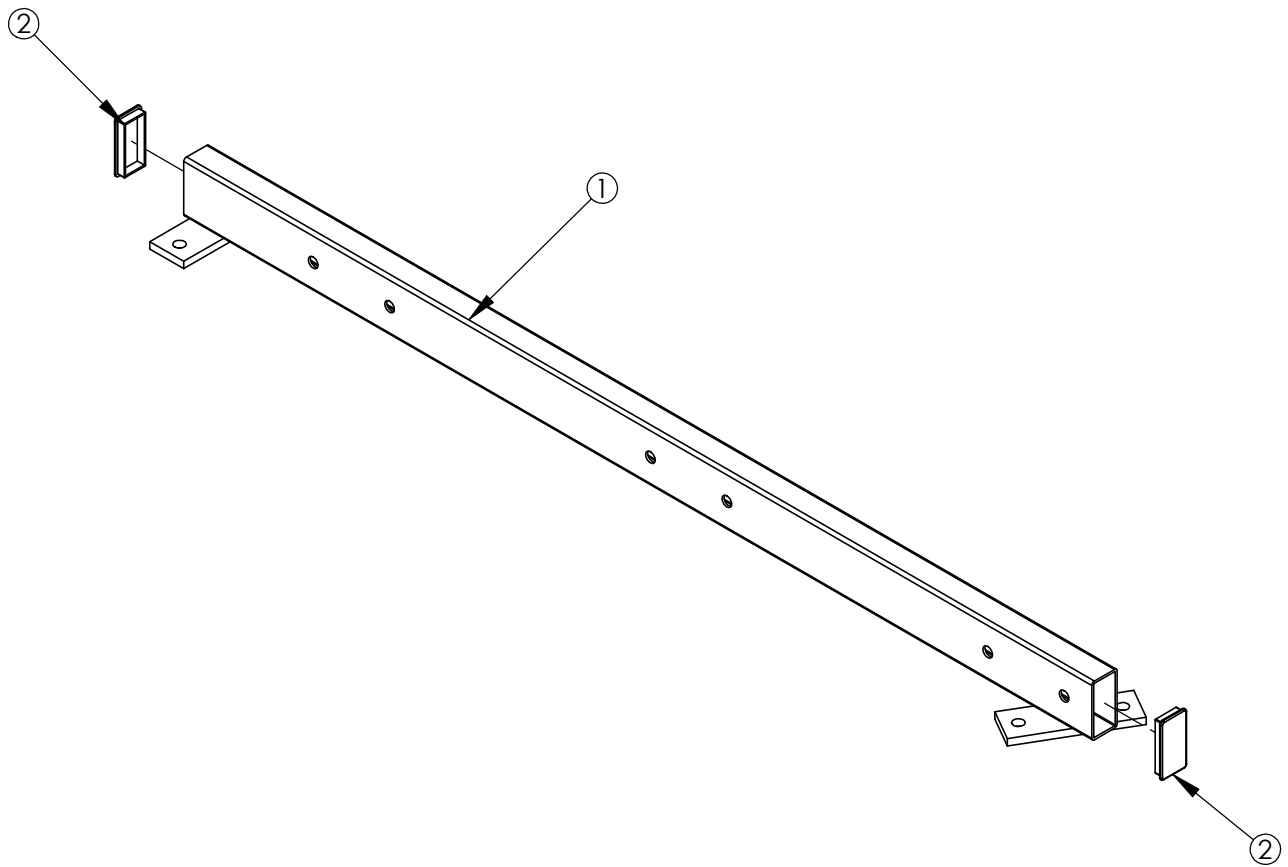
**HAMMER STRENGTH EQUIPMENT**  
**PLSLC-CSFL-1, ASSY, PLSLC, LEFT SIDE FRAME**



ITEM NO.	QTY.	PART NO.	DESCRIPTION
1	1	PLSLC-SFL-0	WLDMT, PLSLC, LEFT SIDE FRAME
2	2	NUT.5LOCK	1/2 DIA THICK LOCK NUT
3	2	H-BACK-WASH	BACKING WASHER
4	2	HHB.5X3	1/2 X 3 BOLT
5	1	H-LOCK-PLUG(SMALL)	SMALL LOCKING PLUG
6	1	RC1530-1Q1	CAP:1-1/2 X 3 RECTANGLE PLUG
7	1	NONSKID 1 X 9	PLASTIC NON SKID STRIP 1 X 9
8	1	H-PLATE-G2	Medium Plate Guard
9	1	H-NAME PLATE	NAMEPLATE (45156-P)
10	1	STAY CLEAR	STAY CLEAR DECAL

WEIGHT = 40lbs / 18kg  
 LENGTH = 35  
 WIDTH = 23  
 HEIGHT = 37

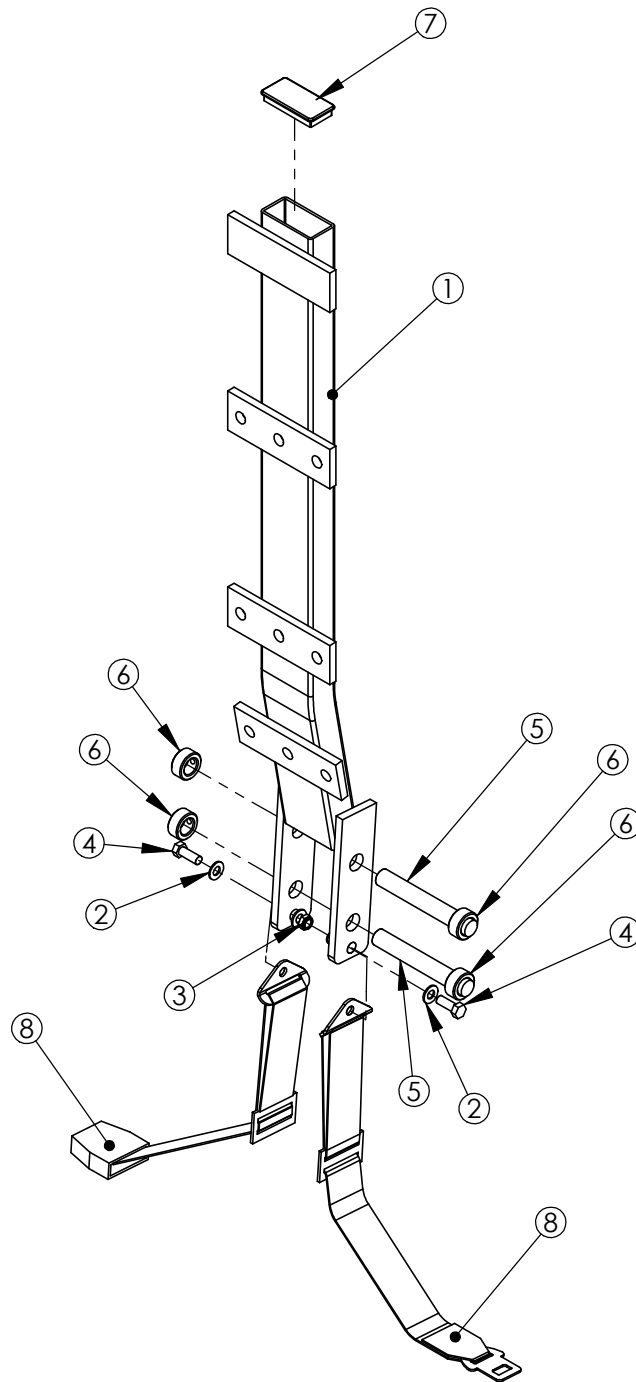
**HAMMER STRENGTH EQUIPMENT**  
**PLSLC-CFX-0, ASSY, PLSLC, FRONT X-MEM**



WEIGHT = 18lbs / 8kg  
 LENGTH = 54  
 WIDTH = 6  
 HEIGHT = 4

ITEM NO.	QTY.	PART NO.	DESCRIPTION
1	1	PLSLC-FX-0	WLDMT, PLSLC, FRONT X-MEM
2	2	RC1530-1Q1	CAP:1-1/2 X 3 RECTANGLE PLUG

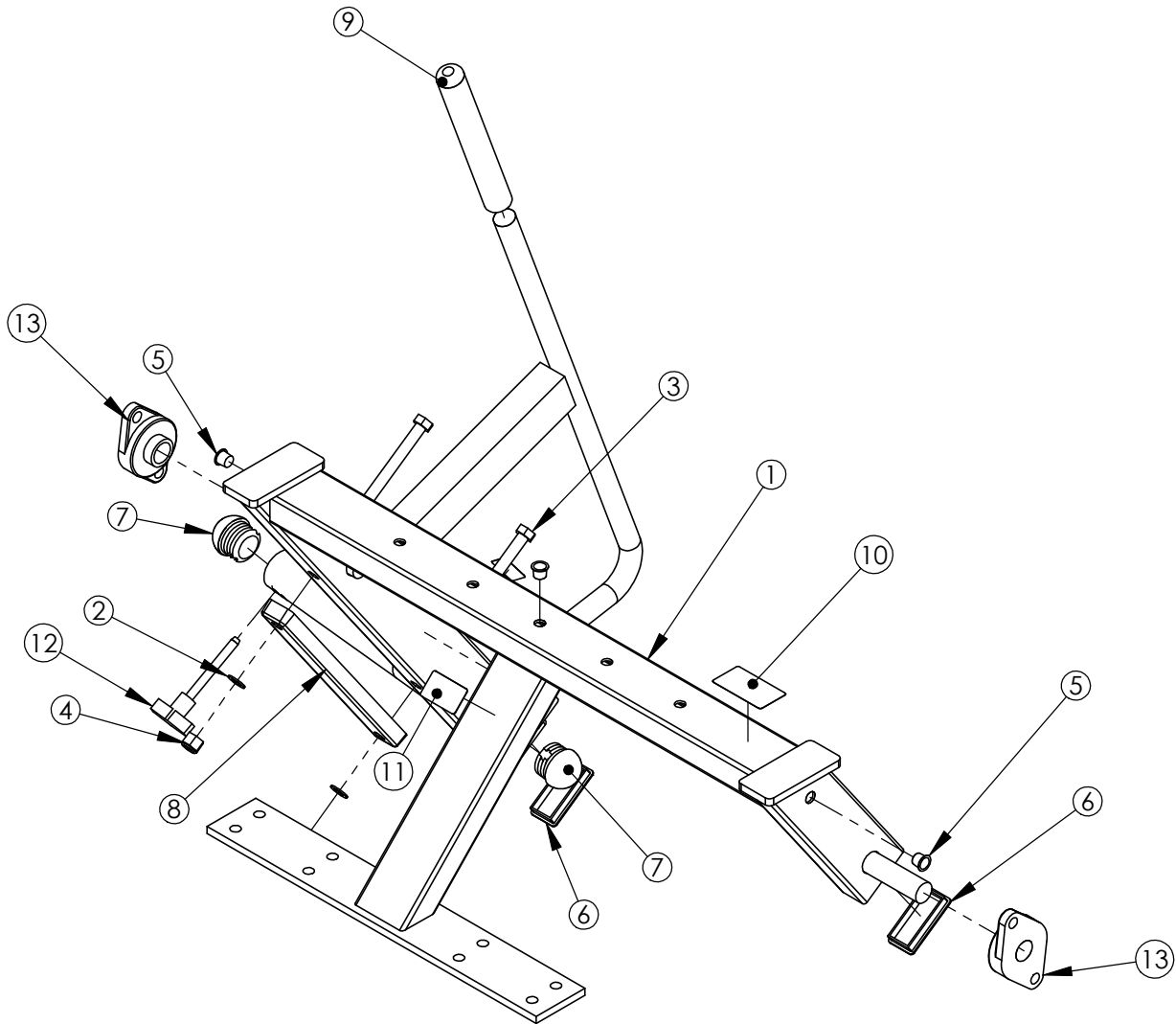
**HAMMER STRENGTH EQUIPMENT  
PLSLC-CAJST-1, ASSY, PLSLC, ADJ. SEAT**



ITEM NO.	QTY.	PART NO.	DESCRIPTION
1	1	PLSLC-AJST-1	WLDMT, PLSLC, ADJ. SEAT
2	4	WASH.375SAE	3/8" SAE FLAT WASHER
3	2	NUT.375JAMLOCK	3/8 THIN LOCK NUT
4	2	HHB.375X1	STEEL BOLT 3/8 X 1
5	2	STshft	Seat Shaft
6	4	H-LCOLLAR75	3/4 LOCK COLLAR
7	1	RC1530-1Q1	CAP:1-1/2 X 3 RECTANGLE PLUG
8	1	SEATBELT-ASSEM	Seatbelt, Complete

WEIGHT = 20lbs / 9kg  
 LENGTH = 38  
 WIDTH = 6  
 HEIGHT = 6

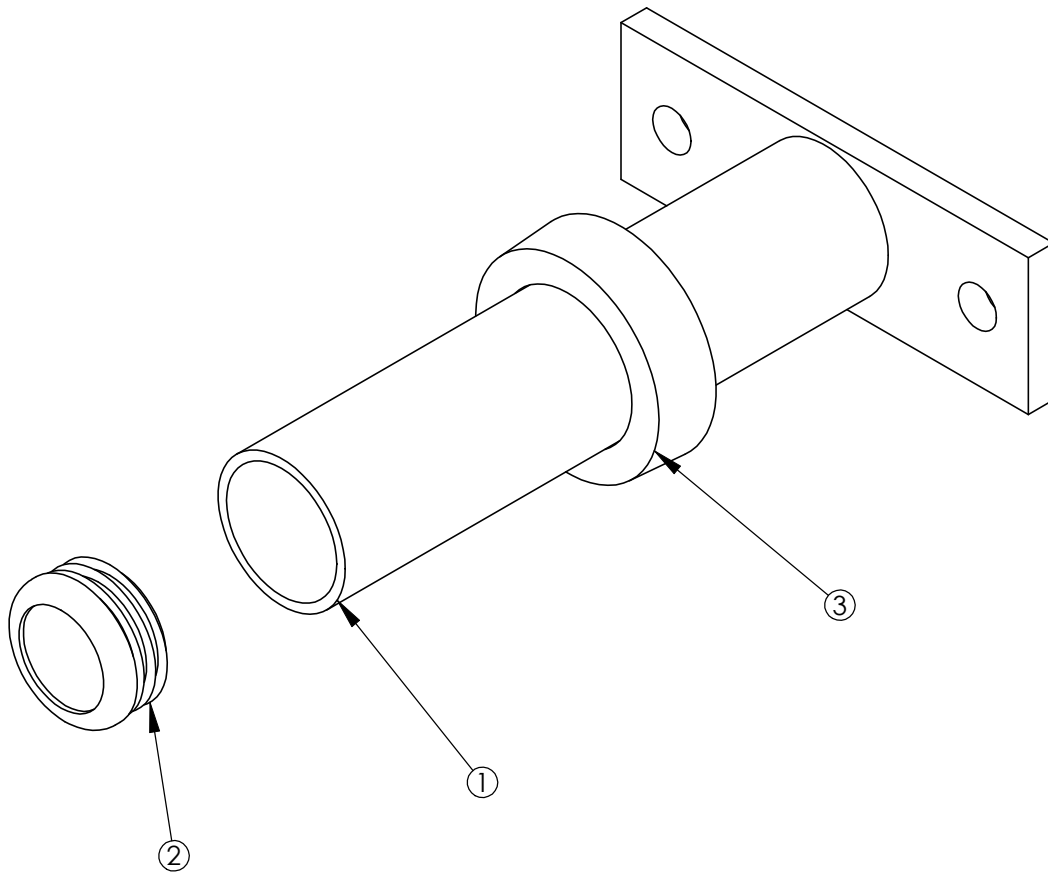
**HAMMER STRENGTH EQUIPMENT  
PLSLC-CMA-2, ASSY, PLSLC, MOVEMENT ARM**



ITEM NO.	QTY.	PART NO.	DESCRIPTION
1	1	PLSLC-MA-1	WLDMT, PLSLC, MOVEMENT ARM
2	4	WASH.5STAR	1/2" INTERNAL LOCK WASHER
3	2	HHB.5X4.5	1/2 X 4 1/2 BOLT
4	2	NUT.5LOCK	1/2 DIA THICK LOCK NUT
5	3	H-HPLUG (REG)	9/16IN HOLE PLUG
6	2	RC1530-1Q1	CAP:1-1/2 X 3 RECTANGLE PLUG
7	2	RUBCAP1-2	RUBBER CAP #1
8	1	H-STR-BUMP	MM4-12
9	1	H-GRIP	HANDLE GRIPS (.938X16)
10	2	SERIAL NUMBER	SERIAL NUMBER
11	2	STAY CLEAR	STAY CLEAR DECAL
12	1	SELECTOR PIN-3	SELECTOR PIN 3 IN.
13	2	H-BEAR-SML	SMALL BEARING

WEIGHT = 98.8 lbs / 44.9 kg  
 LENGTH = 32  
 WIDTH = 50  
 HEIGHT = 30

**HAMMER STRENGTH EQUIPMENT**  
**H-HORN-ASSY: WEIGHT HORN ASSEMBLY**



ITEM NO.	QTY.	PART NO.	DESCRIPTION
1	1	H-HORN	WLDMT, WEIGHT HORN
2	1	8078001	CAP, END 1.75 DIA RD 14-20 GA
3	1	H-RUBRNG	MM5 RING

WEIGHT = 3 1/4 lb  
 LENGTH = 8 5/8"  
 WIDTH = 6"  
 HEIGHT = 3"